

UB-2200R series

UB-2235R / UB-2245R

Next generation standards of personal hygiene

two separated nozzles



aerated gentle wash



ultra sonic soldering water-proof seat



intelligent occupied seat sensor



convenient remote control



nano-silver technology



anion air purity system

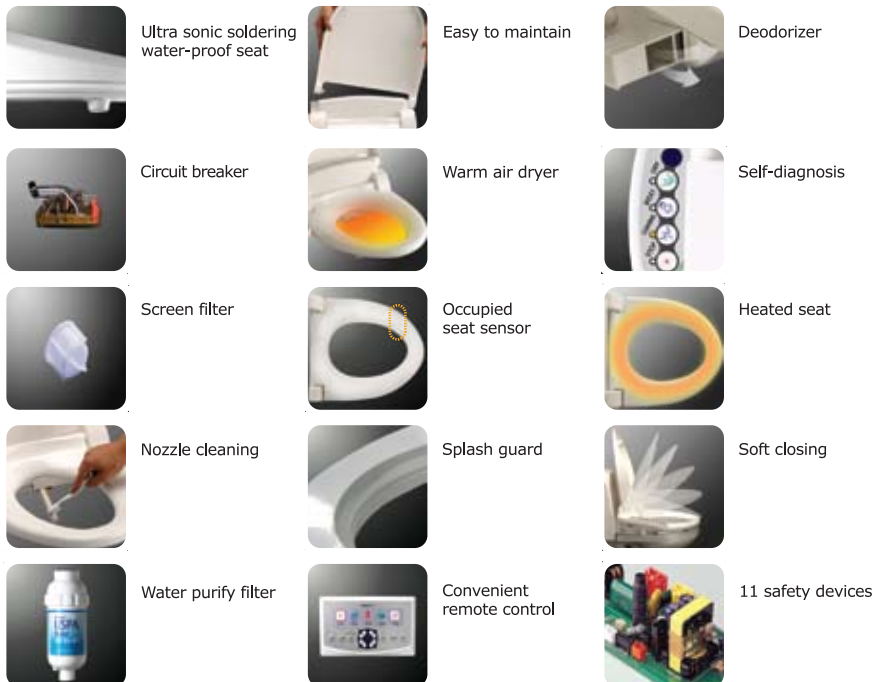


Uspa

Functions

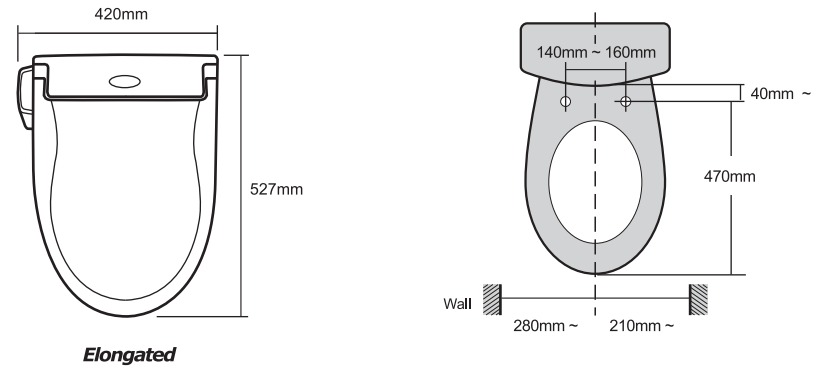


Features



Dimension

* Uspa UB-2200R series may not fit certain toilet bowl designs. Please refer to the dealer sizing and installation chart.



Specifications

UB-2235R / UB-2245R Elongated Model

Power rating	120V, 60Hz, 660W / 230V, 50Hz, 735W
Power cord	1.2m (120V) / 1.8m (230V)
Cleansing features	Posterior wash : 1,000 ± 200 ml / min Feminine wash : 1,000 ± 200 ml / min Tank capacity : 1.3l Water temperature : Room temp ~ 104°F (40°C) Heater capacity : 600W (120V) / 655W (230V) Safety features : Thermal cut-off, Thermostat(bi-metal), Floating switch
Dry features	Air temperature : Room temp ~ 140°F (60°C) Heater capacity : 250W (120V) / 275W (230V) Safety feature : Bi-metal, Thermal cut-off
Heated seat features	Seat temperature : Room temp ~ 104°F (40°C) Heater capacity : 55W (120V) / 60W (230V) Safety feature : Thermal cut-off
Air purity feature	Catalytic filter (UB-2235R) / Anion & catalytic filter (UB-2245R)
Remote control	Infrared remote control
Water supply pressure	10psi ~ 106psi (0.08mPa ~ 0.74mPa)
Circuit breaker	Within 15mA 0.1 second
Net weight	10.8 lbs (4.7kg)

* Specifications can be changed without notice.

* Recommended water supply pressure is between 14psi - 100psi(0.09mPa - 0.68mPa).



manufactured by
SAMHONGTECH CO., LTD.

1488-7, WOOJUNG TOWN 9F, KWANYANG-DONG
DONGAN-KU, ANYANG-CITY, GYEONGGI-DO
REP OF KOREA 431-060
Tel : +82-31-420-2341~5 Fax : +82-31-426-8666
<http://www.samhongtech.co.kr>

distributed by